



®

www.flyfishaustralia.com.au

FLY FISH AUSTRALIA INC.

"PROMOTING COMPETITION SPORTS FLY FISHING IN AUSTRALIA"

Patron: Janet Holmes a' Court

COMPETITION RULES

For Fly Fishing Competitions Authorised by Fly Fish Australia

2019

FFA By-law No. 1 – 2019

Incorporating FIPS Mouche International Competition Rules 2019

*Version 2019 Adopted May 2019
Amended February 2021*

DISCLAIMER

The user of this document accepts all risks and responsibility for losses, damages, costs and other consequences resulting directly or indirectly from using this document and any information or material available from it. To the maximum permitted by law, Fly Fish Australia Incorporated excludes all liability to any person arising directly or indirectly from using this document and any information or material available from it.

**Fly Fish Australia Incorporated**

ABN 44 617 030 553

Postal Address:
National Secretary
Fly Fish Australia Inc.
GPO Box 2255
CANBERRA ACT 2601
AUSTRALIA

Email addresses:
secretary@flyfishaustralia.com.au

Intellectual property laws protect this document**©Fly Fish Australia (2019)**

It is acknowledged the parent of this document was published by FIPS Mouche (the international body for sports fly fishing) and that this document is modelled upon that publication. This modified document is and shall remain the property of Fly Fish Australia. Unauthorised use of this document in any form whatsoever is prohibited.

Document History

Ref: FFA_Competition Rules

Revision No.	Revision Date	Description
Version 2008	2008	Original Document – called ‘Abridged Rules’
Version 2011	15 April 2011	Adopted by meeting – minor amendments plus clarifications added
Version 2012	20 July 2012	Adopted by board via email – minor amendments
Version 2015	19 August 2015	Adopted by board meeting – FIPS Mouche rules changed
Version 2019	26 May 2019	Adopted by the Board 25/26 May 2019
Version 2019	7 December 2019	Amended AGM
	7 Feb 2021	Amended by Board Article 22.1

Table of Contents

Table of Contents	1
ARTICLE 1: INTRODUCTION	3
ARTICLE 2: GENERAL INFORMATION	3
ARTICLE 3: APPLICATIONS FOR COMPETITIONS AND THEIR AUTHORISATION	4
ARTICLE 4: COMPETITION PROTOCOL	5
ARTICLE 5: CHAPTER CHAMPIONSHIPS	6
ARTICLE 6: ORGANISATION OF NATIONAL CHAMPIONSHIPS	7
ARTICLE 7: COMPETITION RULES AND MODIFICATIONS	8
ARTICLE 8: MEDICAL AND INSURANCE COVER	9
ARTICLE 9: BANK FISHING COMPETITIONS	9
ARTICLE 10: BOAT FISHING COMPETITIONS	10
ARTICLE 11: DURATION OF EVENTS, SCORING AND PRACTICE SESSIONS	13
ARTICLE 12: WHO MAY PARTICIPATE	14
ARTICLE 13: TEAM REQUIREMENTS	14
ARTICLE 14: OBLIGATIONS OF COMPETITORS	14
ARTICLE 15: TEAM CAPTAINS	15
ARTICLE 16: JURY	16
ARTICLE 17: DUTIES, RESPONSIBILITIES AND POWERS OF THE JURY AND APPEAL COMMITTEE	16
ARTICLE 18: SECTOR JUDGES, GENERAL	17
ARTICLE 19: DUTIES AND RESPONSIBILITIES OF SECTOR JUDGES	17
ARTICLE 20: CONTROLLERS	18
ARTICLE 21: INTERNATIONAL SUPERVISORS	19
ARTICLE 22: RANDOM DRAW PROCESS AND ASSIGNMENT OF BEATS AND BOATS	19
ARTICLE 23: CARE OF FISH CAUGHT	20
ARTICLE 24: COMPETITION BOATS	20
ARTICLE 25: ELIGIBLE FISH	21
ARTICLE 26: COMPETITION FLY RODS	21
ARTICLE 27: COMPETITION FLY LINES	21
ARTICLE 28: COMPETITION LEADERS	22
ARTICLE 29: COMPETITION FLIES	22
ARTICLE 30: LANDING NETS	23
ARTICLE 31: PROHIBITIONS	23
ARTICLE 32: LOST FISH	24
ARTICLE 33: AWARDING OF POINTS	24
ARTICLE 34: SESSION PLACINGS	24
ARTICLE 35: TEAM AND INDIVIDUAL POSITIONS	25
ARTICLE 36: POSTING OF RESULTS	25
ARTICLE 37: POSTED RESULTS AND OBJECTIONS	26
ARTICLE 38: FORMAL PROTESTS	26
ARTICLE 39: TITLES AND TROPHIES	27
ARTICLE 40: ANTI-DOPING REGULATIONS	27
ARTICLE 41: LANGUAGE OF THE ORIGINAL TEXT	27
ARTICLE 42: STATEMENT OF APPROVAL	28

BACKGROUND

Fly Fish Australia Incorporated (FFA) has always conducted its competitions using the FIPS Mouche Competition Rules as a base reference document. In 2008 FFA published an 'abridged' set of rules recognising variations to the international rules that more properly relate to the competition framework and conditions relevant to Australian conditions. That document only referenced select rules with cross reference to the FIPS Mouche rules. This current version of the FFA Competition Rules includes all of the current FIPS Mouche rules incorporating the Modifications to those rules applicable to Australian conditions and competitions. Thus the FFA Competition Rules are a complete set of rules in their own rite and therefore is the only set of rules applicable to FFA authorised competitions. For clarification purposes each rule modified from the FIPS Mouche rule by FFA will be followed by the words [FFA Modified].

The first World Fly Fishing Championship was held in 1981. This championship was held under the auspices of the International Confederation of Sport Fishing (CIPS), and administered by the International Federation of Fresh Water Sport Fishing (FIPS-Ed). The annual championships were administered by a Committee of FIPS-Ed until 1988. In 1989, the International Federation of Sport Fly Fishing (FIPS-Mouche) was founded in San Marino as an independent Federation within CIPS. The original FIPS-Mouche Competition Rules were drawn up by the Presidential Board and the Technical Commission following the founding of FIPS-Mouche as part of CIPS in San Marino in 1989 and have been subsequently modified and approved by the FIPS-Mouche General Assembly.

Between 1987 and 1993 Australia sent teams to World Championships with team selections based upon state representation. In 1994 Fly Fish Australia was incorporated in NSW and since that time has been conducting formalised state and national competitions for the purpose of selecting teams to compete at international fly fishing competitions. FFA is a member of FIPS Mouche and therefore endorsed as the peak Fly Fishing body in Australia with the authority to select teams to represent Australia at international fly fishing competitions. The selection processes are captured in the FFA Constitution (Annexure 2).

The FFA Competition Rules are in place to ensure integrity, a code of ethics, and consistency in organising and conducting competitions authorised by FFA within Australia.

These Competition Rules shall be interpreted in line with the FIPS-Mouche Statutes, FIPS-Mouche Guideline documents, the Constitution of FFA and any By-laws approved by the Board of FFA in accord with the Constitution. In the event of any dispute the FFA Constitution takes precedence over any matter addressed in the Competition Rules.

The latest published version of the Fly Fish Australia Competition Rules will apply to all competitions authorised by the Board of Fly Fish Australia. If there is any doubt or dispute over any aspect of the Competition Rules, they will be resolved by interpreting the "Spirit of the Rules".

For convenience, the words "he" and "his" are used throughout this document as a gender-neutral term to include the words "she" and "her" respectively. The words championship, competition, and event may also be used interchangeably to mean the same term.

FIPS Mouche 2019 rule amendments are highlighted **yellow**.

[FFA Modified]

ARTICLE 1: INTRODUCTION

- 1.1 Since sport and competitive angling encompasses such diversity, specifically in the areas of awards and techniques, the Olympic Ideal is used to carry out the mission of FIPS-Mouche. As defined by FIPS-Mouche, “Competition Sport Fly Fishing” is angling among competitors, who are observing a standard approved set of rules with a conventional fly rod, fly reel, fly line, leader, and artificial flies for no financial reward. FFA will allow product prizes donated by sponsors however cash prizes are not acceptable.
- 1.2 Also, as with the Olympic Ideal, FIPS-Mouche Competition Sport Fly Fishing is a doping-free sport in order to promote health, fairness and equality for all competitors worldwide. The championships are designed to foster a spirit of good will and international friendship between all nations.
- 1.3 These ideals are recognised and endorsed by Fly Fish Australia to equally apply to all Chapter and Australian Fly Fishing Championships (Nationals) Competitions authorised formally by FFA as qualifying events for anglers to earn ranking points for selection into representative teams.
- 1.4 The Constitution of Fly Fish Australia Incorporated takes precedence over these rules in the event of any dispute.
- 1.5 Only competitions formally authorised by the Board of FFA (Board) are eligible for members of FFA to earn ranking points for selection to international representative teams.

[FFA Modified]

ARTICLE 2: GENERAL INFORMATION

- 2.1 Competitions may be organised for competitors of either sex, competing together or separately.
- 2.2 Competitions may take place on running or still water.
- 2.3 Competitions may be organised by any of the state chapters. Chapters are required to conduct a minimum of three State competitions each year.
- 2.4 Competitions may be organised for different age groups as follows:

Category A	SENIORS	Over 18 at any point during the year of competition
Category B	YOUTH	Ages 14 – 18 at any point during the year of competition
Category C	MASTERS	Over 50 at any point during the year of competition

- 2.5 These Competition Rules apply equally to all categories, and to State and National Championships.
- 2.6 Any reference to the FFA Website shall mean the official FFA website at www.flyfishaustralia.com.au

[FFA Modified]

ARTICLE 3: APPLICATIONS FOR COMPETITIONS AND THEIR AUTHORISATION**3.1 Chapter Competitions**

- 3.1.1 Chapters of FFA must obtain the approval of the Board to organise any FFA authorised competition. Written application to the FFA National Secretary with the program of competitions proposed for the upcoming competition year commencing 1 July to 30 June must be submitted not later than 31 March preceding each competition year.
- 3.1.2 Advance notice of the annual competition calendar is essential to allow competitors to plan their competition program.
- 3.1.3 The application must, as a minimum for each competition, provide the following details:
- The state competition round identifier (eg Round 1), the Chapter name, competition year, dates, venue, sectors, competition waters and eligible species.
 - The location, date and time of pre-competition safety briefing and competition instructions to all participants
 - Any proposed rule modifications for those events and justification for those modifications (eg rod limits and fly limits)
 - Fishing method to be included (e.g. river, small still water boat, bank fishing, wading, loch style etc.).
 - Any conditions pertaining to wading
 - Duration of the competition and session times
 - Entry nomination fee for competitors.
 - Name and contact details for the nominated ‘Competition Organiser’ or the State Chapter Secretary as applicable.
- 3.1.4 Chapters may in exceptional circumstances apply in writing to the Board seeking approval to amend their competition proposals. This should be at least 3 months prior to the approved competition to give adequate notice to all FFA members of any approved changes. The Board may at its discretion determine an application at any time. The Board recognises that environmental and other circumstances dictate competition outcomes and therefore will not unreasonably withhold approval.

3.2 National Championships

- 3.2.1 The FFA Constitution (Cl. 141) requires that prior to 30th October in the year preceding the holding of the Nationals the Chapter Committee aligned with the venue for the Nationals shall submit to the Board for its consideration and approval a detailed proposal and financial budget for the Nationals including details of the venues, restrictions on angling methods, accommodation and transport. Following receipt of this proposal and budget the Board will work with the relevant Chapter Committee to finalise plans for the Nationals before granting its approval.

[FFA Modified]

ARTICLE 4: COMPETITION PROTOCOL

- 4.1 All FFA authorised competitions will be conducted in accordance with the Olympic ideal and consistent with the FIPS Mouche Rules upon which the FFA Competition Rules are based.
- 4.2 Each State and National competition must be authorised by the Board in order for it to have standing as a selection qualifying competition.
- 4.3 It is a condition of authorisation by the Board that the FFA Competition Rules will be applied and adhered to throughout the competition.
- 4.4 It is a condition of entry to any competition that the Competitor undertakes to abide by the FFA Competition Rules, the expectation of sportsmanship and sportsmanlike behaviour in the spirit of fair play. Lodgement of an entry nomination signifies the Competitor acknowledges these fundamental rules to the conduct of competition and personal behaviour and agrees to abide by them.
- 4.5 Competition Organisers and any appointed Organising Committee acting as a Committee have the discretionary authority to alter or amend competition arrangements prior to or during the event having regard to safety, environmental or other special circumstance. This power may only be exercised in extenuating circumstances and where time or practical consideration does not permit a determination by the Board. The Competition Organiser shall be responsible for ensuring all registered Competitors are notified of such changes where practicable before the change comes into effect and further that the FFA Secretary and/or FFA President is notified by verbal and written communication as soon as practicable.
- 4.6 No participant is entitled to alter a draw, move a beat marker, change a boat number, change boat partners, change groups and the like. The only persons with authority to make decisions on these matters is the Competition Organiser and/or the Sector Judge. Such changes can only be made as a last resort in order to address a matter of safety or correct an obvious anomaly necessitating the change. Changes made for these reasons must immediately be communicated to those directly affected, and final results must be annotated so that all competitors are aware of them, and the reason(s) for them.
- 4.7 Prior to the commencement of any competition the Competition Organiser shall organise a formal Briefing Session for all participants with respect to safety and other operational aspects of the competition. The time, date and location of the briefing session is to be shown on the competition documentation published on the FFA Website. Attendance is mandatory for all participants. The Competition Organiser may, under exceptional circumstances, grant an individual relief from attending the group briefing only on the proviso the participant attend an alternative safety briefing at a time and place determined by the Competition Organiser. No individual may participate in the competition until such time as they have undertaken a safety briefing.

4.8 Chapter Competitions

- 4.8.1 Entries for all Chapter competitions will open at least 28 clear days prior to the commencement date of the competition and entry nominations will close at least 7 clear days prior to the first day of competition. Entry nominations for any competition must be received by the closing date and time nominated on the competition instructions published on the FFA Website. Nominations must be on the form provided or lodged electronically via the FFA Website

should such option be available. Entries may close when the event limit has been reached.

- 4.8.2 Entry nomination forms for each Chapter competition must be published by the Chapter on the FFA Website prior to the opening of entry nominations. Online entry nomination is to be utilised where such facility is available on the FFA Website.
- 4.8.3 Entry nominations for Chapter competitions will be considered in the order in which they are received by the Competition Organiser. Where there is a published Rule Modification limiting the number of entries then local State Chapter members nominations take preference in the first 24 hours period following opening of the entry nomination period.

(Amended AGM 7 Dec 2019)

- 4.8.4 The Competition Organiser has the authority to make the final determination on entry acceptances and the number of Competitors having regard to such factors as the available number of boats nominated by Competitors. In the event of a limit to competitor entries being imposed then financial members of FFA at the time of entry nomination will be prioritised over unfinancial members and non-members in that order. Competitors offering to provide boats for the competition may also be prioritised higher if shortage of boats is a consideration.

4.9 National Championships

- 4.9.1 Entries for National Championship competitions will open at least 60 clear days prior to the commencement date of the competition and entry nominations will close 42 clear days prior to the first day of competition. Entry nominations for any competition must be received by the closing date and time nominated on the competition instructions published on the FFA Website. Nominations must be on the form provided or lodged electronically via the FFA Website should such option be available.
- 4.9.2 Qualification to enter the National Championships is based upon accumulated ranking points and session points in accord with the FFA Constitution (Annexure 2). Entry nominations received during the entry nomination period will be placed in order of merit as per the FFA published 3 year rankings as at 30 June each year. Should the entry nominations exceed the number of positions available as notified in the Rule Modifications then acceptance of entry nominations will be in accord with the order of merit. The lowest ranking entry nominations will not be accepted and those entry nominations placed on standby in order of merit. In special circumstances, the Board may determine via a Rule Modification that other members are eligible to compete in the Nationals provided such determination is made prior to the publication of groups.

[FFA Modified Rule]

ARTICLE 5: CHAPTER CHAMPIONSHIPS

- 5.1 Chapter 'Championships' will be determined from the results of the subject Chapter competitions for the competition year (1 July to 30 June) on the following basis:

-
- 5.2 Only members of the Chapter that were financial members of FFA at the time of competing in an authorised qualifying competition may accrue ranking points in the Chapter championships.
 - 5.3 Only authorised Chapter competitions held in the competition year will be qualifying competitions for the Chapter championship of that year.
 - 5.4 The Chapter championship will be determined on the basis of the aggregation of the best two ranking points from Chapter qualifying competitions.
 - 5.5 Rankings points will be determined for individual qualifying competitions in accordance with the National ranking points system in the FFA Constitution.
 - 5.6 The chapter championship order of merit will be determined from the order of highest aggregated ranking points to lowest in accord with the above methodology.
 - 5.7 Where two or more members achieve the same ranking points then their order of merit will be determined from the highest aggregate fish points from the competitions used to determine their rankings
 - 5.8 Gold, Silver and Bronze medals will be awarded to the individual placegetters.
 - 5.9 The Chapter Committee may determine to establish a team based competition, the basis for that competition in any competition year and the team awards.
 - 5.10 The Chapter Committee may determine to award a River Champion, Lake Boat Champion, Chapter Champion, Teams or any other competition award it deems appropriate.

[FFA Modified Rule]

ARTICLE 6: ORGANISATION OF NATIONAL CHAMPIONSHIPS

- 6.1 The organisation of a FFA Authorised Competition is described in detail in the FFA Competition Workbook made publicly available on the FFA Website.
- 6.2 The Host Chapter and their organising committee is responsible for the following:
 - 6.2.1 Submitting the provisional budget for the Competition to the FFA Board for approval.
 - 6.2.2 Ensuring all information is properly available on the FFA Website and that this is regularly updated and maintained for accuracy.
 - 6.2.3 Appointing a suitably qualified and experienced Competition Organiser to manage the competition. This includes preparations for and running of the championship.
 - 6.2.4 Selecting and training sector judges and controllers who will uphold the Olympic ideal of fair and honourable sportsmanship and submitting, for the approval of the FFA Board, a written summary of the arrangements for their selection, appointment and training.
 - 6.2.5 Submission of an up-to-date budget for the event to the FFA Board at the prior to release of entry nomination documentation.

-
- 6.2.6 Submission of a full report on the conduct of the event to the FFA Board not later than one month after the conclusion of the championship.
 - 6.2.7 Compliance with any directive by the FFA Board in relation to anti-doping regulations and testing for the championship (0 refers).
 - 6.2.8 Appointing compliance anglers who will fish the empty beats and boats to ensure that all beats and boats are fully occupied and fished during all sessions of the championship.
 - 6.2.9 Providing adequate and secure office space and location(s) for meetings & FFA business including AGM, Competitor and Controller Briefings, Jury Meeting(s), Administrative Office for Registration of competitors, medal presentation ceremonies etc.
 - 6.2.10 Providing arrangement advice to all participants for food, transport and lodging and details of the competition headquarters for the event.
 - 6.2.11 Proper marking of all beats on all of the sectors, and if possible, safe places for spectators to follow the competition not disturbing the competitors.
 - 6.2.13 Providing the appropriate quality & quantity of scorecards for the championship.
 - 6.2.14 Providing means for distribution of current information on the championship to the competitors, volunteers, other participants and to the general public including designating the location of the Competition Notice Board for all results and participant information.
 - 6.2.15 To provide an official scorer and to ensure the FFA authorised draw and results computer program, installed and run on the password-protected computer shall be used to undertake the Competition draw and scoring. Entries shall be done by and under supervision of the FFA Board or Organising Committee Member as applicable.
 - 6.2.16 Providing a list of all registrants (competitors and volunteers) during a championship to the FFA Representative present.

[FFA Modified Rule]

ARTICLE 7: COMPETITION RULES AND MODIFICATIONS

- 7.1 The latest published version of the FFA Competition Rules will apply during any authorised competition. Certain additions/enhancements/changes to the rules may be specified in Rule Modifications to take into account the laws, regulations, practices and particular needs of the region in which the event is to be held. The host Chapter is responsible for ensuring that competition rules are compliant with local regulations. The host Chapter shall be responsible for ensuring either a valid permit is obtained from the relevant authority or the FFA Competition Rules are appropriately Modified for the event to ensure all competitors and participants conduct themselves in accord with the applicable rules and regulations. Local fishing regulations take precedence over the FFA Competition Rules.
- 7.2 Any changes arising from the application of *Article 7.1* must be included in the Rule Modifications document published in the pre-event information posted by the host Chapter and approved by the Board.

-
- 7.3 A draft of the Rule Modifications document must be submitted to the FFA Board for approval in accord with the requirements in **Article 3**.
 - 7.4 The FFA Board must review, modify if considered necessary and approve the Rule Modifications for implementation at the competition.
 - 7.5 The National Secretary will inform Chapter committees of the decision of the FFA Board as soon as practicable. The Chapter Secretary shall ensure the competition information published on the FFA Website is current and accurate.
 - 7.6 Last minute changes to the Rules Modifications may only be initiated by the Competition Organiser and the Senior FFA Representative present at the championship. Both parties should agree to the necessity of any last minute change. (i.e force majeure, extreme water levels, safety, pollution, ...etc).

[FFA Modified Rule]

ARTICLE 8: MEDICAL AND INSURANCE COVER

- 8.1 FFA will arrange public liability and volunteer insurance coverage for all authorised competitions and events.
- 8.2 Participants are responsible for providing adequate personal insurance cover for health, travel, equipment and any other insurance applicable to them. It is a condition of entry nomination that Competitors will not hold FFA or the competition organisers liable for any personal loss as a result of participation in the competition.

[FFA Modified]

ARTICLE 9: BANK FISHING COMPETITIONS

- 9.1 Competition waters shall be divided into Sectors identified by name, if possible, and by Roman numerals I, II, III, (IV and V). The number of sectors must correspond with the number of groups in the competition.
- 9.2 The beats within sectors must be numbered consecutively starting from the upstream boundary in running waters. On still waters, the beats must be numbered clockwise. There must be the same number of beats within each sector as the number of competitors in the largest group.
- 9.3 It shall be the prime objective of the Host Chapter to provide all competitors with equal fishing opportunities. They shall ensure that no competitor is either advantaged or disadvantaged by the quality of the beat allocated. Except where limited by legal access to fishing water, beats shall be a minimum length of two hundred metres on running waters and one hundred metres on still waters. The buffer zone of minimum ten metres must be marked between adjacent beats.
- 9.4 The beats shall be selected in the way that will provide conditions for the controllers to maintain continuous visual contact with the competitor. The controllers shall be adequately equipped for this purpose (binoculars, rubber boots or waders, safety equipment if necessary). Where there is an island within boundaries of a beat, the controller may be directed to perform his duties from the island to ensure a permanent visual contact with his/her competitor. Controller must enter the island not later than 30 minutes prior to the start of the

session, making sure the fishing water is not disturbed. Controller remains on the island for the duration of the session.

- 9.5 The organisers are responsible for properly marking all beats on all of the sectors, and if possible, safe places for spectators to follow the competition. On still waters the beats shall be marked with the strips of a warning tape on both sides, that determine also the virtual boundary lines in a water.
- 9.6 A competitor may only cast or fish their flies within the marked boundaries of their beat, and they must remain within the boundaries of the beat during the whole competition session. A competitor may not fish from, nor use, any form of bridge during a Competition Session.
- 9.7 If a hooked fish swims outside of the boundaries of the competitor's beat, the competitor may play the fish from inside their own beat, and it must also be landed within their beat. If a hooked fish swims into the adjacent beat, and the angler in that beat does not object, then the competitor may play the fish from inside his own beat. If the angler in the adjacent beat does object, the competitor has a maximum of five minutes to bring the fish out of the adjacent beat.
- 9.8 During a championship "bank fishing" session, wading allowed, only the competitor may enter the water within the boundaries of their beat. For safety reasons, if it's considered necessary by the controller, then the controller may enter the water for rescue. Bank fishing means that there is always contact with the ground, lake bottom or river bottom. Deliberately swimming or floating is forbidden.

[FFA Modified]

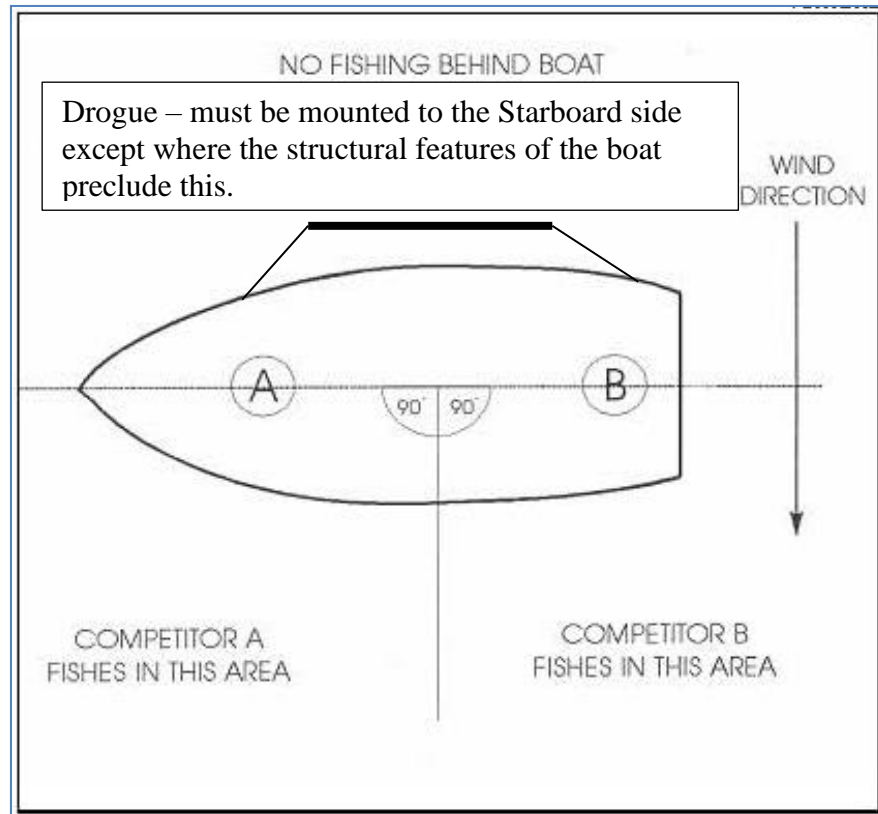
ARTICLE 10: BOAT FISHING COMPETITIONS

- 10.1 All organisers, competitors and participants in FFA authorised competitions have a responsibility for the safe conduct of those competitions and to report any breaches of safety including near miss incidents to the Competition Organiser, the Sector Judge or their nominee at the earliest practicable opportunity.
- 10.2 Boats for use in competition must be well maintained and compliant with local maritime regulations applicable to each region. The boat owner or competitor supplying a boat for competition as a condition of entry warrants that their boat is compliant and they take all responsibility for non-compliance. All boat operators must hold a current boat driver's licence.
- 10.3 Boats are NOT to be operated 'on the plane' during the first five minutes of steaming time and boat operators must ensure every step is taken to minimise wash during this critical period of operation. The only departure from this is if the boat operator deems for safety reasons the boat must be operated at a higher speed to avoid a higher risk situation. Boat operators are to exercise due care and consideration towards smaller boats in their near vicinity
- 10.4 At all other times boats may be operated in accord with local waterway regulations and subject to safety and boating etiquette considerations in every case.
- 10.5 The Boat Operator will be responsible for:

-
- 10.5.1 Compliance with local boating regulations at all times including performing a safety check of the vessel under their control prior to each competition session.
 - 10.5.2 Ensuring Personal Floatation Device (PFD) is worn by all persons on the vessel under their control whilst on the water during FFA authorised competitions.
 - 10.5.3 Compliance with any safety directive from the Competition Organiser, Sector Judge or their delegate.
 - 10.5.4 Ensuring at ALL times whilst the boat motor is running the operator of the boat MUST be connected by lanyard to the 'kill switch' on the motor and this system must be operational and effective.
 - 10.5.6 Ensuring whilst motoring competitors are seated safely and as low as feasible to the centre of gravity of the boat to assist with maintaining balance of the boat.
 - 10.5.7 Ensuring that their boat is equipped with a drogue.
 - 10.5.8 Ensuring that their boat is well maintained.
- 10.6 All Competitors are responsible for:
- 10.6.1 Ensuring the PFD they are wearing is 'in-test' and compliant with local boating regulations.
 - 10.6.2 Raising any safety concerns with the operation of the vessel directly with the operator or where appropriate the Competition Organiser at the earliest practicable opportunity
 - 10.6.3 Prompt return of completed scorecards at the conclusion of all boat sessions to the Sector Judge as evidence the angler has returned safely to the muster point.
- 10.7 Competition Organisers or their nominees are responsible for:
- 10.7.1 Ensuring all participants in FFA authorised competitions are provided with a safety briefing regarding local conditions and any safety rules prior to the commencement of the first session of competition and where required thereafter
 - 10.7.2 Counting boats at the beginning of competition sessions and reconciling returned score cards at the conclusion of competition sessions to ensure all boats and anglers have returned safely
 - 10.7.3 Organising and coordinating rescue of missing boats and/or anglers
- 10.8 A maximum of two competitors will fish in each boat. Where feasible a compliance angler will take the place of a competitor where an odd number of competitors is in a group.
- 10.9 Each competitor has the right to be in command of the boat for an equal amount of time. The decision as to which competitor is initially in command of the boat will be decided by the toss of a coin.
- 10.10 The competitor in command of the boat may take all tactical decisions including: on which seat in the boat each competitor sits; where the boat should

be positioned; and whether a drogue is used or not. The Controller may at their discretion override any such decision for reasons of safety or of fairness to the competitor(s) in the boat.

- 10.11 Boats must be launched at least ten minutes before the start of the session (or such longer minimum time as is prescribed by the Competition Organiser) to give competitors time to arrive by the start time of the session at a position from which they will commence fishing.
- 10.12 No boat may approach within fifty metres of another boat from which a competitor is at the time fishing, except for reasons of safety or necessity.
- 10.13 Competitors while fishing must be seated on the provided seats. A seat cushion may be used if desired. However, ten centimetres is the maximum thickness allowed for a seat cushion. The use of 'lean seats' is not permitted.
- 10.14 Netting of fish is the responsibility of the competitor. However, a Controller may net a fish if requested by the competitor.
- 10.15 A competitor may stand only while in the act of netting a fish. But, if the competitor has asked the Controller to net the fish, the competitor must remain seated.
- 10.16 Unless otherwise approved by Rule Modification the following boat competition rules apply (refer to diagram below):
- 10.16.1 Fishing will be from drifting boats with drogues
 - 10.16.2 The competitor in control will determine whether or not a drogue is to be deployed at any time during their period of control provided that decision does not unfairly disadvantage the other competitor
 - 10.16.3 The drogue must be mounted on the starboard side of the boat, unless the Organising Committee approve an exemption on the grounds that the structural / physical features of the boat require it to be fitted to the port side.
 - 10.16.4 The competitor may only cast their flies in their forward facing quadrant as shown in the diagram. Should the fly line drift into the adjoining quadrant the angler must retrieve the line and recast into their quadrant. If a fish is caught whilst retrieving a line that has drifted into the adjoining quadrant from a legal cast then that fish may be scored (Article 25 applies)
 - 10.16.5 There will be two competitors per boat one of whom is the designated boat operator. In FFA competitions each competitor will perform the role of Controller for the other
 - 10.16.6 Only one group of competitors may fish a Sector at any time
 - 10.16.7 No competitor may fish whilst the boat is in motion following or during operation of the motor or from rowing. Any fish hooked whilst the boat is in motion as a result of movement generated by external propulsion other than drifting from the wind will not be scored. Flies presented in this fashion is a form of trolling which is not permitted.



[FFA Modified]

ARTICLE 11: DURATION OF EVENTS, SCORING AND PRACTICE SESSIONS

- 11.1 National Championships are to be scheduled as four or five scoring sessions and Chapter competitions are to be scheduled as four scoring sessions in order to gain ranking points. In the event of extreme weather or other extreme event occurring immediately prior to or during a competition then a National Championships may be reduced to at least three scoring sessions to constitute a competition. Similarly Chapter competitions may be reduced to include at least two scoring sessions to constitute a Competition. In all Competitions, competitors will have the right to fish an equal number of scoring sessions on each method of fishing.
- 11.2 Each scoring session must comprise at least three hours of fishing where controllers are available. Where river competitions are held and insufficient controllers are available the competition organisers may allow competitors to control each other on the basis of odd and even beats controlling each other alternately. This scenario is addressed more fully in the FFA By-law for River Competitions. This circumstance must be notified as a Rule Modification where applicable. If, for reasons beyond the control of the competitor, the scoring session amounts to less than the announced period, compensatory time must be allowed.
- 11.3 The hours for each competition session will be set by the host Chapter and included in Rule Modifications. (Refer also to Article 4.5 regarding special circumstances for change of times).
- 11.4 Competitors must be allowed not less than 30 minutes of preparation time, upon arrival at their beat for each session to assemble rods, prepare leaders, etc. If,

for reasons beyond the control of the competitor, the preparation time amounts to less than 30 minutes, compensatory time must be allowed even if it delays the start of the session for this competitor (*Article 11.2* refers)

- 11.5 Scoring shall be recorded on score sheets provided by the Competition Organiser. FFA generic score sheets are available on the FFA Website. The FFA endorsed draw and scoring program is to be used for all FFA approved competitions.

[FFA Modified]

ARTICLE 12: WHO MAY PARTICIPATE

- 12.1 Any person may compete in a Chapter competition subject to any limitation on the maximum number of competitors notified by the host Chapter as a Rule Modification and approved by the FFA Board (*Article 4.8.3* refers for Chapter Competitions).
- 12.2 Ranking points may only be earned by financial members of FFA at the time of the competition
- 12.2 Minors (Competitor Under the age of 18 years) can only compete with the written permission and under the supervision of their parent, guardian or authorised person.
- 12.3 To be eligible to compete at the Australian Fly Fishing Championships (The Nationals) a competitor must:
- 12.3.1 Be a financial member of FFA at the time of submitting their entry nomination.
- 12.3.2 Have attained ranking points accumulated in accordance with the FFA Constitution - Addendum 2.
- 12.4 Limitations to the number of Competitors in a Nationals (*Article 4.9.2* refers).

ARTICLE 13: TEAM REQUIREMENTS

- 13.1 Chapters will determine the structure of any team based competitions within their Chapter.
- 13.2 ~~The Nationals Championship Teams event will be determined from the accumulated competition rankings for that event from the best placed competitors from each Chapter with the number of competitors scored equal to the number of groups in the competition.~~

(Amended by deletion of article 13.2 at AGM 7 Dec 2019)

[FFA Modified]

ARTICLE 14: OBLIGATIONS OF COMPETITORS

- 14.1 Participants in competitions authorised by FFA must respect the Competition Rules and Rule Modifications.

-
- 14.2 Out of courtesy to the host Chapter, the Competition Organisers, and any event sponsors, all registrants are required to attend all official functions listed in the official program and to meet at designated Muster Stations at the times directed for safety and competition management purposes.
- 14.3 It is the responsibility of each competitor to take all appropriate safety measures, including the wearing of eye protection and life preserving equipment.
- 14.4 Each competitor at a National Championships must wear a visible identification tag throughout every competition session. It must be supplied by the host Chapter
- 14.5 Each competitor is required to initial /sign his scorecard after every registered catch. Each competitor is responsible for checking the accuracy of their score card and for confirming this by signing it at the end of each session. After signature, the score card will become a final official document. The competitor is also responsible for ensuring the scorecard is signed by the Controller and each fish score initialled.
- Score cards must be properly completed and legible (including 'blank' sessions) and handed to the Controller / Sector Judge at the conclusion of EACH session and within the timeframe nominated by the Competition Organiser. Where no time is nominated, then within 30 minutes of the conclusion of the session. Each Competitor is encouraged to photograph their signed off score card prior to handing it to the controller for return to the Sector Judge.
- 14.6 Each competitor must arrange their travel in accord with the instructions provided by the Competition Organiser. This will generally be by private transport too and from the designated Muster Station.
- 14.7 Any competitor who, during a competition session, requests advice relating to fishing or accepts any material help relating to fishing will be disciplined. If anyone involved with a competitor communicates with a competitor during a competition session, this will be considered as a case of the competitor requesting advice relating to fishing.
- 14.8 Each competitor must observe the principles of the World Anti-Doping Code and all anti-doping regulations set-up for the Competition.
- 14.9 A competitor is always responsible and accountable for their equipment, and once a session has started, they are the only person to handle it and move it within the boundaries of the beat during the competition session.
- 14.10 Competitors must hold a valid recreational fishing licence for the State in which the competition is being held.

[FFA Modified Rule]

ARTICLE 15: TEAM CAPTAINS

This rule does not apply to FFA authorised competitions.

[FFA Modified Rule]

ARTICLE 16: JURY

- 16.1 A Jury must be formed and competitors notified at the pre-competition Safety Briefing as to who the Jury members are. The Jury and appeal process will be brought into play in the event of a protest lodged in accord with **Article 38**.
- 16.2 The Jury will at a Chapter competition consist of four members:
- a) The Senior FFA Representative who will be the Chairperson of the Jury.
 - b) The highest ranking Chapter committee member
 - c) Two other members of the Chapter Committee.
 - d) If there are insufficient of the above members at the Competition the Jury vacancies will be filled by the Competition Organiser, a Sector Judge and/or FFA members drawn randomly to fill the quota
 - e) Persons making the protest or against whom the protest is made are precluded from being members of the Jury.
- 16.3 The Jury will at a Nationals competition consist of five members:
- a) The Senior FFA Representative who will be the Chairperson of the Jury.
 - b) Four members of the FFA Board
 - c) If there are insufficient of the above members at the Competition the Jury vacancies will be filled by the Competition Organiser, a Sector Judge and/or FFA members drawn randomly to fill the quota
 - d) Persons making the protest or against whom the protest is made are precluded from being members of the Jury.
- 16.4 Either party to the protest may exercise their Right of Appeal against any decision of the Jury. In exercising that right the appellant is required to lodge their appeal in writing accompanied by the sum of \$50 for each person lodging the appeal. This fee will be returned in the event the appeal is upheld.
- 16.5 The Appeal Committee will at a Chapter competition consist of four members:
- a) No member of the Jury on the initial protest.
 - b) The next highest ranking member of the FFA Board as Chairperson
 - c) The next available highest ranking Chapter committee member
 - d) Two other members of the Chapter Committee.
 - e) If there are insufficient of the above members at the Competition the Jury vacancies will be filled by the Competition Organiser, a Sector Judge and/or FFA members drawn randomly to fill the quota
- 16.6 The Appeal Committee will at a Nationals competition consist of five members:
- a) No member of the Jury on the initial protest.
 - b) The next highest ranking member of the FFA Board as Chairperson
 - c) The next available four members of the FFA Board
 - d) If there are insufficient of the above members at the Competition the Jury vacancies will be filled by the Competition Organiser, a Sector Judge and/or FFA members drawn randomly to fill the quota

ARTICLE 17: DUTIES, RESPONSIBILITIES AND POWERS OF THE JURY AND APPEAL COMMITTEE

It will be the duty and responsibility of the Jury and Appeal Committee to:

- Review any reports of infractions and take any appropriate action.
- Receive any formal written protest and take any appropriate action.
- Report any Jury or appeal committee actions to the FFA Board.

Disciplinary measures are:

- Warning
- Censure
- Disallowing all or part of a competitor's catch
- Disqualification of a team or individual

[FFA Modified Rule]

ARTICLE 18: SECTOR JUDGES, GENERAL

- 18.1 In all competitions, there must be a Sector Judge for each of the sectors or groups of competitors.
- 18.2 The arrangements for ensuring that Sector Judges are knowledgeable, competent and conversant with these Competition Rules, and any Modifications, are to be reviewed and approved by the host Chapter or the FFA Board (*Article 6.2.4* refers).

[FFA Modified Rule]

ARTICLE 19: DUTIES AND RESPONSIBILITIES OF SECTOR JUDGES

- 19.1 Sector Judges are responsible for the proper conduct of the competition within their sector or group of competitors.
- 19.2 Sector Judges are responsible for supervising the training of all Controllers in their Sector and accepting only those who are properly qualified.
- 19.3 Sector Judges are responsible for the supervision of their Controllers to ensure that they are keeping accurate records and are enforcing the observance of the Competition Rules and Rule Modifications.
- 19.4 Sector Judges are responsible for assisting Controllers in rule interpretation, if there is any doubt about a possible infraction of the Rules or the Rule Modifications. If the Sector Judge has difficulty with rule interpretation, they shall ask the Competition Organiser for a ruling.
- 19.5 Sector Judges are responsible for supervising the recording of suspected rule infractions and reporting them to the Competition Organiser. In the event of a formal protest, the Sector Judge involved is required to assist the Jury by presenting the gathered information, to resolve the protest.
- 19.6 Sector Judges are responsible for ensuring that no person has access to competitors during competition sessions. All observers should be kept well away so that they do not interfere or communicate with competitors.
- 19.7 Sector Judges may have other duties assigned to them by the Competition Organiser.

[FFA Modified Rule]

ARTICLE 20: CONTROLLERS

- 20.1 Controllers will be responsible for only one Competitor during bank fishing sessions.
- 20.2 Controllers will be responsible and accountable for accurately recording on the competitor's scorecard (FFA approved template shall be used) details of each eligible fish, including the length to the nearest millimetre, species and the time of capture. The Controller must cross out all unused portions of the scorecard at the end of the session. They must ensure that the Competitor signs the scorecard at the end of the session. After a signature by the Competitor, the original of the scorecard will be given to the Sector Judge by the Controller. The Competitor will be allowed to photograph the scorecard at the conclusion of the session and only after the scorecard has been duly signed and unused portions crossed out.
- 20.3 A Controller must measure each fish handed to them by the Competitor, and the controller does not have the authority to release a fish before measurement
- 20.4 In case of a dispute, the Controller must keep material evidence for presentation concerning (size, species, etc.) eligibility. A dispute regarding a fish must be recorded on the Competitor's scorecard and where feasible photographs taken. Killing of fish to resolve a dispute is not encouraged.
- 20.5 Controllers are not allowed to enter the water during a bank fishing competition session except in the case of a health and safety emergency. Similarly they are NOT permitted to use a bridge to cross to the other side of the river during a competition session.
- 20.6 Controllers are responsible for warning competitors for any violation of the Competition Rules and their Modifications. A verbal warning must be the first course of action, except for serious violations or repeated offenses. Controllers must record (in writing) any serious infraction of the Competition Rules or Rule Modifications and report this information to their Sector Judge immediately, but not later than after the session has ended. The Controller should record a rule infraction on the Competitor's scorecard if possible or a separate piece of paper.
- 20.7 Controllers may have other duties assigned to them by the Competition Organiser or by the Sector Judge.
- 20.8 The arrangements for ensuring that controllers are knowledgeable, competent and conversant with these Competition Rules, and any Rule Modifications, are to be reviewed and approved by the host Chapter and where appropriate the FFA Board.
- 20.9 Controllers should always remain within sight of, and within a 'reasonable working distance' of competitors, during a session. In this regard, competitors must also respect that controllers are volunteers, and not be unreasonably demanding or disrespectful in their requirements.
- 20.10 Controllers should at least perform the following checks: accreditation badge of competitor, rod length, leader length, fly line diameter, level or tapered down leaders, distance between knots on leaders, distance between flies, no additions on line or leader, correct use of droppers, no barbs on hooks, flies fit to gauge, landing nets.

[FFA Modified Rule]

ARTICLE 21: INTERNATIONAL SUPERVISORS

Rule not used for Fly Fish Australia domestic competitions.

[FFA Modified Rule]

ARTICLE 22: RANDOM DRAW PROCESS AND ASSIGNMENT OF BEATS AND BOATS

- 22.1 Before the assignment of beats to competitors, all beats and buffer zones(if any) must be clearly defined by physical beat marker pegs and/or tapes (with GPS coordinates recorded where possible) and the markers must not be moved or altered during the competition. (*Amended 7 Feb 2021*)
- 22.2 The Computer Draw for beat assignment for all FFA sanctioned competition utilises the FFA authorised computer program, on the secure computer, which shall be used to determine the beats/boat numbers assigned to each competitor. The beat of each competitor must be determined by the random draw computer program. Once checked by the Senior FFA Representative or members of the organising committee, this draw will be locked and secured. The random draw is designed to ensure that anglers do not follow each other in the beat draw and are randomly allocated beats within each sector.
- 22.3 The random draw for boat assignment for each competitor must be decided by the computerised draw, which allocates boats to owners or designated boat operators. The program also allocates boat partners having regard to rankings and ensuring no two pairings of boat partners are repeated during the competition.
- 22.4 Prior to the competition the Competition Organiser will circulate the angler groupings which are to be determined on the basis of the seeding system adopted by FFA and published on the FFA Website in the document ‘Groups, blanks, seeding and draws’. These groups are number numerically from 1, 2, 3, 4 etc. This grouping list allows competitors the opportunity to organise transport and boat arrangements.
- 22.5 The random draw procedure is to be undertaken by the Scorer, a member of the FFA Board where feasible or the Competition Organiser and witnessed by the organising committee (comprising at least three other persons and where practicable an independent witness). This will be undertaken following closure of the entry nominations and prior to the competition.
- 22.6 The process is:
- 22.6.1 The FFA Draw and Scoring Program will randomly distribute the numerically designated seeded groups into Alphabetic Groups by Letter (colour coded) for each group and competitor: “**A**, **B**, **C**, **D**, **E**”. (A= yellow, B=red, C= green, D=blue and E= purple). A Group list for each Group is generated. Once this is checked by the Senior FFA Board member present or Competition Organiser and witnessed by those present this element of the draw will be locked and secured.
- 22.6.2 Next the beat/boat assignment numbers will be generated by the program and these are to be kept confidential for distribution to Competitors at the mandatory competitor briefing. In the case of National Championships name tags are generated with group colour coding and the draw for each

competitor then sealed in envelopes held by the Competition Organiser or his delegate. This process is to be witnessed however the draw is not to be noted or recorded by any witness who is competing in the competition.

22.6.3 The beat/boat assignment numbers will be announced only upon registration at the Nationals.

[FFA Modified Rule]

ARTICLE 23: CARE OF FISH CAUGHT

23.1 If a Competitor wishes a fish to score, he must land it in a net, **immediately** transport a netted fish submerged (where possible) and pass it in the net to the Controller for assessment of eligibility, measurement and recording (Article 20.2. refers). Once a fish was netted the competitor may not handle it in any way, nor alter the equipment used for capture of this fish. In case the competitor does not follow this **Article 23.1**, his fish will be registered as invalid catch.

In FFA Boat competitions the Competitor will net and release the fish. The Controller will verify the fish length and undertake any other checks necessary to confirm legality of the catch.

23.2 The Controller is responsible for removing the hook, reviving the fish and releasing the fish and shall take care not to damage the fish in any way. If a fish is hooked in such way that it cannot be easily and safely unhooked, the leader shall be cut as close as is practical to the fish, leaving the hook in the fish. The controller shall then release the fish with the least harm possible. The exception to this is in FFA Boat competition as noted at **Article 23.1**

23.3 When the Controller is not able to release the fish in the normal way e.g. due to their inability to access the water, the Controller may (for the benefit of the fish) authorise the competitor to release the fish in a suitable place as indicated by the Controller.

23.4 If a controller or any other competition official determines that a competitor has negligently injured a fish, that fish will not be scored and the competitor will be penalised the number of points attributable to a fish of minimum valid length. The incident must be reported to the Jury for consideration of further action.

ARTICLE 24: COMPETITION BOATS

24.1 Competition boats in Australian Competitions are provided by fellow competitors. Boats used during the championships must be of appropriate stability, allowing for safe fishing and safe changing of seats between Competitor(s) if applicable. Local (national) safety regulations of the Host Chapter shall apply and shall be part of the Rule Modifications as applicable. The number of occupants in each boat must not exceed the rated boat capacity.

24.2 Boats must carry life preservers/personal flotation devices (PFDs) for each occupant and a means of signalling/calling for help in case of emergency.

24.3 Drogues fitted to the boat are normal practice for Australian Competitions.

[FFA Modified Rule]

ARTICLE 25: ELIGIBLE FISH

- 25.1 Eligible fish species in FFA Competitions are Rainbow Trout, Brown Trout, Brook Trout and Salmon. The minimum eligible size limit for scoring purposes is 180mm. All other variations to this must be specified in the Rule Modifications. For measuring purposes, the length will be from the tip of the nose to the longest part of the tail (not squeezed) measured in millimetres or whichever part of the tail is specified in the Rule Modifications if local regulations apply.
- 25.2 Only fish hooked in the mouth area, i.e. in front of the rear edge of the gill cover, will be eligible.
- 25.3 A fish hooked inside a competition session is eligible if it is landed not more than ten minutes after the end of the session. The fish must be hooked prior to the call of time for the session even if the competitor has not finished the retrieve.
- 25.4 For a fish to be eligible, it must also be properly cared for and unharmed by the Competitor.

[FFA Modified Rule]

ARTICLE 26: COMPETITION FLY RODS

- 26.1 One conventional fly rod (including double handed switch rods or spey rods), not more than twelve feet/three hundred and sixty-six centimetres in length, may be used at one time. Competitors may have spare fly rods with them (carried on their body or bank side assembled), as long as only one line is in the water. However, when boat fishing, these must not be assembled nor the reel attached.
- 26.2 Competitors are responsible for carrying and protecting their own equipment during the competition sessions.

ARTICLE 27: COMPETITION FLY LINES

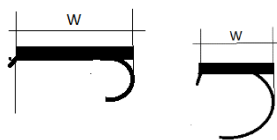
- 27.1 Any factory made floating, sinking or sink tip Fly Line may be used, except for lead core lines. Every fly line used in a FFA authorised competition shall have a minimum coated diameter of 0,55 mm (0.22"). Only fly lines meeting this requirement are authorised for use in FFA authorised competitions (not to fit in the 0,53 mm slot in the gauge).
- 27.2 Competition fly lines must be a minimum length of twenty-two metres.
- 27.3 Shooting heads are not allowed.
- 27.4 Neither sinking nor floating devices may be added to fly lines.
- 27.5 One single loop is allowed at the end of the fly line, if desired. If a braided or monofilament loop is used to connect the leader to the fly line, the maximum overall length of such a connector may not exceed 10 cm.

ARTICLE 28: COMPETITION LEADERS

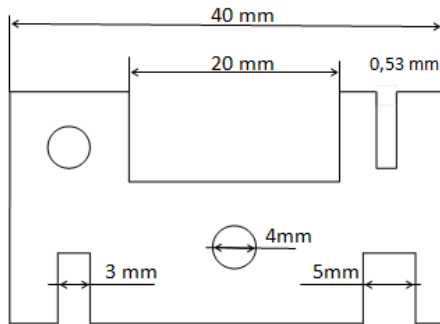
- 28.1 A single monofilament or poly leader, tippet included, may be used, with a maximum total length of twice the length of the rod used.
- 28.2 Leaders may be knotted or knotless, and continuously tapered down or level. A single loop of max. 10 cm length may only be used to connect a leader to a fly line. If the leader is knotted, the minimum distance between the knots is 30 cm, hanging freely.
- 28.3 Neither sinking nor floating devices may be added to the leader
- 28.4 A maximum of 3 micro rings (leader rings) of a maximum outer diameter of 3 mm can be used. A maximum of 3 knots can be joined at a micro ring, they are considered as 1 knot.
- 28.5 A dropper is an equal or smaller diameter monofilament side line to the leader used solely to attach a second or third fly other than the point fly. Only droppers may be used to attach flies whenever more than 1 fly is used by the competitor during that competition. Droppers without fly attached are not allowed. Should a fish break off one of the flies (snagging or double take) during playing the fish this should be seen as “within the rules” and the catch should be registered if eligible.

ARTICLE 29: COMPETITION FLIES

- 29.1 Competitors may use floating or sinking artificial flies
- 29.2 All hooks must be connected directly to the leader/tippet/dropper.
- Weighted flies are permitted, provided the weight which must be hidden within the dressing and may not exceed the bend **or eye** of the hook. The maximum length of added weight (w) is the distance from the eye of the hook to the farthest point of the bend in the hook.



- A single visible bead, not more than 4 mm maximum dimension, is also permitted. Painting alone does not constitute dressing.
- 29.3 If one fly is used, the length and width of the dressed fly will be at the discretion of the competitor (*Articles 29.2 & 29.10* apply).
- 29.4 If more than 1 fly is used on a leader, all weighted flies must comply with the measuring gauge, as demonstrated in the following diagram:



If the hook length fits within the 20 mm horizontal slot, then the maximum body thickness must fit in the 5 mm vertical slot.

The 4 mm round/circular hole is the maximal diameter allowed for a bead

If the hook length is longer than the 20 mm horizontal slot, then the body thickness must fit between the 3 mm vertical slot.

The maximum hook length cannot be longer than 40 mm, the horizontal length of the gauge at its longest part.

Line diameter will be tested in the 0,53 mm slot. The fly line may not fit in.

- 29.5 A maximum of three flies is permitted which must not be closer to each other than fifty cm, measured eye to eye, hanging freely. The number of flies allowed will be specified in Rule Modifications.
- 29.6 All flies must be attached to the leader in such a way that neither they nor their droppers move or slide along the leader material.
- 29.7 All flies must be dressed on barbless single hooks, tandem flies are not allowed. Hooks that are rendered barbless must pass the 'cloth test'.
- 29.8 If the equipment used and/or flies used are assessed by the controller as repeatedly causing excessive harm to the fish, the use of such flies/equipment may be disallowed by the Controller (after agreement by the Sector Judge).
- 29.9 Attractor chemicals and the use of light emitters in flies is forbidden.
- 29.10 Appendages that alter the original concept of an artificial fly or bodies made of moulded/shaped plastic, moulded/shaped silicone or moulded/shaped rubber are banned (moulded/shaped imitations of worms, eggs, baitfish, maggots, twisters...). Rubber or extruded round material, exceeding the bend, shank or eye of the hook is not allowed with exception of maximal diameter 0,53 mm used for leg imitations (diameter shall be checked with measuring gauge unstretched).

ARTICLE 30: LANDING NETS

- 30.1 The mesh material of a landing net must be rubber/silicon (preferred) or a non-abrasive synthetic or soft cotton material. Nets must now be of knotless construction.
- 30.2 Landing nets must not exceed forty-eight inches/one hundred and twenty-two centimetres in overall length, when fully extended.

ARTICLE 31: PROHIBITIONS

- 31.1 The following are prohibited:
- a) The fishing of competition sectors by competitors or their agents during a period of 7 days for rivers and 2 days for lakes (bank or boat) prior to the official start of the event.
 - b) Unethical, rude behaviour, lack of sportsmanship towards other competitors, organisers or officials.

- c) Any action by competitors, organisers or officials that would produce fraudulent or biased results.
- d) The use of still or video cameras to film beats and/or other competitors to provide information during the whole of the competition.
- e) The use of cell phones, radio or other electronic communication methods by **controllers** during a competition session, except on request of the competitor to solve disputes on rules or for safety reasons.
- f) The use by any competitor of cell phones, radio or other electronic communication methods during a competition session to relay information. The only exception to this is during an emergency affecting health or safety or persons or equipment.
- g) A competitor, during a competition session, requesting advice relating to fishing from anyone.
- h) A competitor accepting material help relating to fishing from anyone.
- i) The use by a competitor or their agent, compliance angler or controller of a fish/depth finder during a competition or during the pre-competition sector closure period.
- j) Use of any prohibited substance(s) constituting doping, according to the anti-doping regulations.

[FFA Modified Rule]

ARTICLE 32: LOST FISH

- 32.1 In the event of the loss of a fish by a controller before measurement, the competitor will be awarded the average of the points for all valid fish caught in that sector in that session.
- 32.2 A fish lost in boat fishing while the controller is netting the fish, at the competitor's request, will not be recorded on a competitor's scorecard nor awarded any points.

ARTICLE 33: AWARDING OF POINTS

- 33.1 For each eligible fish caught, a competitor will score one hundred points.
- 33.2 In addition to *Article 33.1*, competitors will also receive twenty points per centimetre length of each eligible fish. The recorded length will be rounded up to the next complete centimetre for scoring purposes
- 33.3 An under-sized fish (under the eligible size limit) is not eligible to be scored and should not be recorded on a competitor's scorecard.

ARTICLE 34: SESSION PLACINGS

- 34.1 All competitors will receive a placing in their group according to the points they obtain on each sector and for each session of a championship.

- 34.2 A competitor who fails to make a valid catch in any session will be awarded a placing equal to the number of competitors in the largest group for the competition. The same placing will be awarded to any competitor who fails to participate for any reason.
- 34.3 A competitor who is forced to retire for any reason from a session of a championship shall have their catch scored up to that time of departure included in the results. The competitor scorecard needs to be documented at time of departure and signed.
- 34.4 Any incomplete team, where a team competition is being conducted, will be awarded a placing equal to the number of teams in a sector for each session for which a team member is absent.
- 34.5 If there is a tie between competitors in the same sector and session in the number of points received, the tiebreaker will be the largest number of valid fish caught. If the tie persists, the competitors will receive equal placings and the placing(s) immediately following will be left blank.

ARTICLE 35: TEAM AND INDIVIDUAL POSITIONS

- 35.1 The positions of teams and individuals will be determined as follows:
- Teams: The first position will be awarded to the team with the lowest cumulative number of placings of all its team members, and similarly for all other positions.
- Individuals: The first position will be awarded to the individual with the lowest cumulative number of placings, and similarly for all other positions.
- 35.2 A compliance angler will not be eligible to be awarded any individual place/position within a championship, although their session placings will be included in the calculation of session results.
- 35.3 If there is a tie for positions between teams or individuals, the first tiebreaker will be the largest number of points received, the second will be the largest number of valid fish caught, and the third will be the largest fish.
- 35.4 If the tie persists, the tied teams or individuals will be awarded equal positions and the position(s) immediately following will be blank.

[FFA Modified Rule]

ARTICLE 36: POSTING OF RESULTS

- 36.1 The Competition Organiser must announce, at the pre-competition safety briefing, the location for the posting of results and other notices throughout the competition.
- 36.2 At the end of each session, after the results /scorecards have been given to the Competition Scorer, the session results (including individual and team positions), will be posted within three hours where practicable.
- 36.3 At the end of the day, after all of the day's results /scorecards have been given to the Competition Scorer, the daily and cumulative results for both individuals and teams will be posted within three hours where practicable.

- 36.4 At the close of the final session, the final results for both individual and team positions will be posted within three hours after the results /scorecards have been given to the Competition Scorer where practicable at National Championships and in the case of a Chapter competition within 24 hours.
- 36.5 A delay in the posting of results may occur in the event of an unresolved dispute/protest during a particular session(s). In such a case, resolution will occur as soon as possible. A possible change in previous score postings may occur after resolution.

[FFA Modified Rule]

ARTICLE 37: POSTED RESULTS AND OBJECTIONS

37.1 National Championships

- 37.1.1 The results from both sessions of a competition day (after posting in the evening) will become final on the following day at 09:00 in the morning, with the exception of an unresolved dispute/protest. The results of the last competition session and final results of the Championship will become final 3 hours after posting.

37.2 Chapter Competitions

- 37.2.1 The provisional results from a Chapter competition MUST be forwarded by the Competition Organiser to the FFA Webmaster for posting on the FFA Website within 7 days following completion of the competition. The results will become final 7 days following posting of the results, with the exception of an unresolved dispute/protest lodged WITHIN the provisional period.

37.3 All Competitions

- 37.3.1 The time of posting must be clearly marked on the result sheets.
- 37.3.2 It is the responsibility of competitors to inspect the posted results.
- 37.3.3 If there are no objections, which are subsequently sustained, within the provisional period, the posted results will stand as final.
- 37.3.4 It is the responsibility of the competitor to notify the Senior FFA Representative or the Competition Organiser of any discrepancy in the posted results, immediately after the discovery within the provisional period.
- 37.3.5 Only those objections made during the provisional period will be considered by the Jury in rectifying the results. After adjustment (if any) and before posting, the official results must be signed by the Senior FFA Representative and the Competition Organiser.

[FFA Modified Rule]

ARTICLE 38: FORMAL PROTESTS

- 38.1 A formal protest may be made by a competition official, a competitor or a FFA Board member regarding violations of the FFA Competition Rules, the Rule Modifications, or the FFA Constitution.
- 38.2 A formal protest must be in writing or where applicable noted on the competitor score card.

38.3 A formal protest must be made to the Sector Judge, the Competition Organiser or Senior FFA Board Representative present at the competition within two hours of completion of the competition session or after the official posting of the results of the final session of the day, on the day involved.

38.4 The Jury and Appeal process at **Article 16** will be activated upon formal lodgement of the protest.

[FFA Modified Rule]

ARTICLE 39: TITLES AND TROPHIES

39.1 The individual competitor awarded first place at a Nationals Competition will be designated the Individual National Champion.

39.2 The Individual Champion will receive any trophy so designated. Individual National Champion Awards will also be made to the competitors awarded first place in each of the following categories: Ladies, Young Guns and Masters.

(Amended AGM 7 Dec 2019)

39.3 Individual competitors awarded first, second and third place positions may at the discretion of the Chapter receive gold, silver and bronze medals respectively.

39.4 There will be no monetary or substantial material prizes awarded as part of any FFA authorised Championship. Sponsor donations of prizes within the spirit of this article may be awarded.

[FFA Modified Rule]

ARTICLE 40: ANTI-DOPING REGULATIONS

40.1 Fly Fish Australia authorised competitions are to abide by anti-doping regulations and testing regimes in line with the World Anti-Doping Code set up by the World Anti-Doping Agency (WADA), according to the laws, regulations, principles and practices adopted by the National Olympic Committee.

40.2 All anti-doping regulation(s) and special procedures of execution, if applicable, will be included in the Rule Modifications published for any event.

40.3 All anti-doping testing, if applicable, must be funded from the competition budget.

[FFA Modified Rule]

ARTICLE 41: LANGUAGE OF THE ORIGINAL TEXT

41.1 The language of the original text of these rules is English.

41.2 Any clarifications or misunderstandings are to be resolved by reference to the original text

[FFA Modified Rule]

ARTICLE 42: STATEMENT OF APPROVAL

42.1 The original FFA Competition Rules were adapted from the FIPS-Mouche Competition Rules in 2008. The FIPS Mouche Rules are written specifically for international competition. The FFA Competition Rules have been subsequently modified and approved by the Board of FFA, as follows:

Version 2008	2008	Original Document – called ‘Abridged Rules’
Version 2011	15 April 2011	Adopted by meeting – minor amendments plus clarifications added
Version 2012	20 July 2012	Adopted by board via email – minor amendments
Version 2015	19 August 2015	Adopted by board meeting – FIPS Mouche rules amended in 2015
Version 2019	26 May 2019	Adopted by board meeting – Initial release of FFA Competition Rules in full
Version 2019	7 December 2019	Amendment adopted by AGM 2019
Version 2019	7 February 2021	Article 22.1 amended by Board

[FFA Modified Rule]